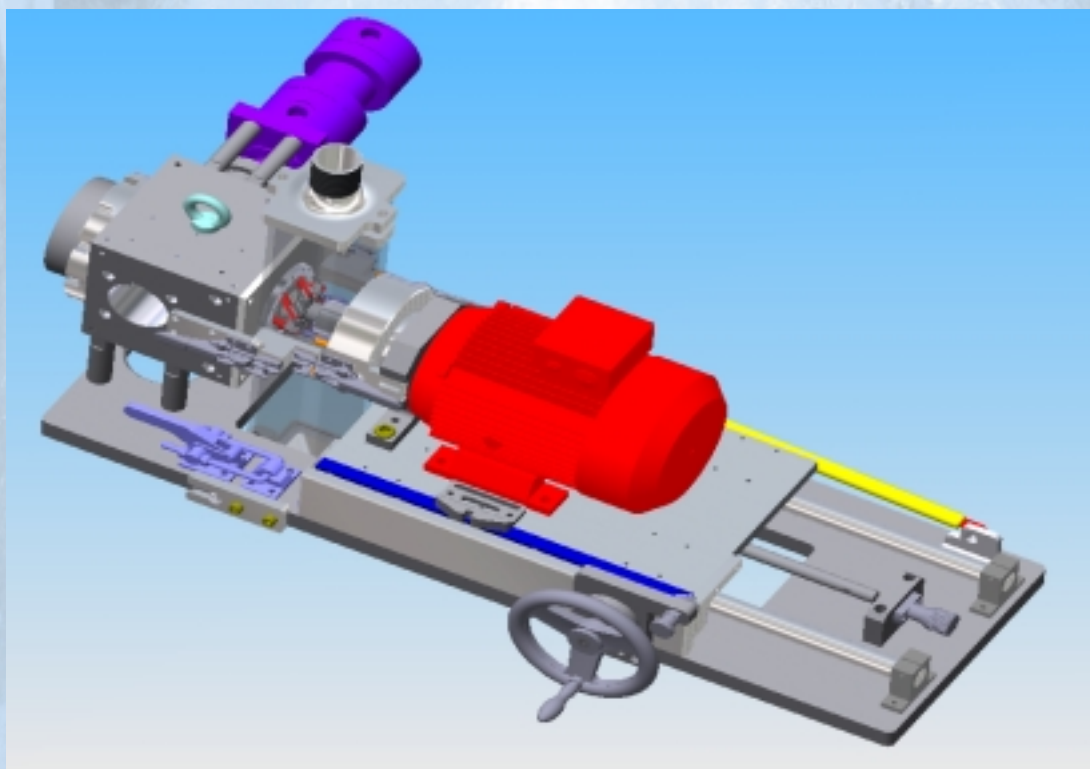
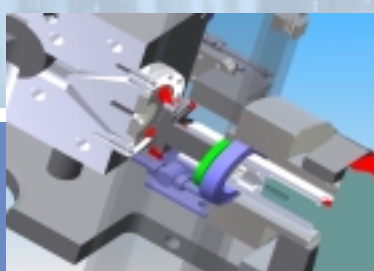
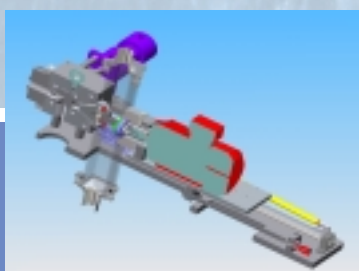




The **NEW UNDERWATER PELLETIZER**
a perfect completion to the conventional
pelletizing systems



UNDERWATER PELLETIZER IN PERFECTION



UNDERWATER PELLETIZER

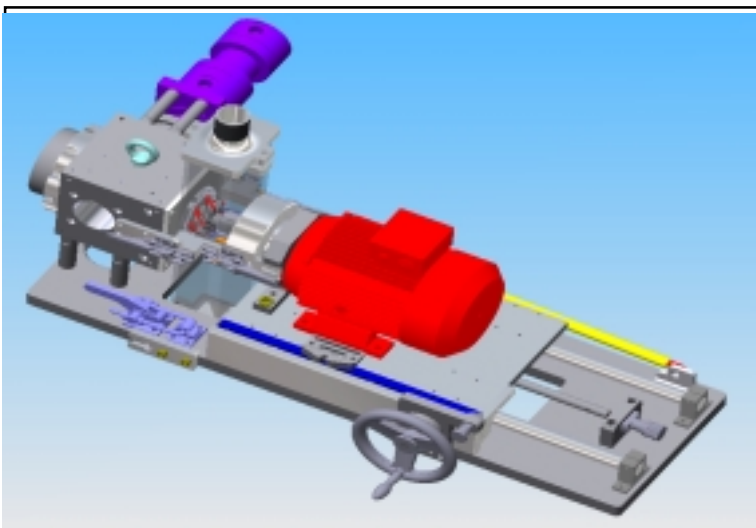
	UWP 10	UWP20
Material	suitable for all thermoplastic materials	
Die	Carbonized or ceramic surface	
Heating /kW	6	9
Drive /kW	4,0	5,5
Start valve	yes	yes
Throughput kg/h	-300	-1200

The underwater pelletizer a consequent development out of the conventional pelletizing systems supplied all over the world for more than 30 years and operating in many extrusionlines successfully.

Due to its advanced properties the underwater pelletizer will process a large number of technical thermoplastic materials with an attractiv performance and will replace in a number of occasions the strand pelletizing system. Specially in case of problematic material with difficult handling the underwater pelletizer is a perfect solution.

With the proven cooling and vibration system the performance of the complet line is very sophisticated.

Two executions of underwater pelletizers are available, special executions can be provided in cooperation with our customers.



PLASTMACHINES



International GmbH
Untere Au 1
D-82275 Emmering

Tel +49 8141 9793
Fax +49 8141 9790
e-mail: plastmachines@t-online.de
<http://www.plastmachines.com>